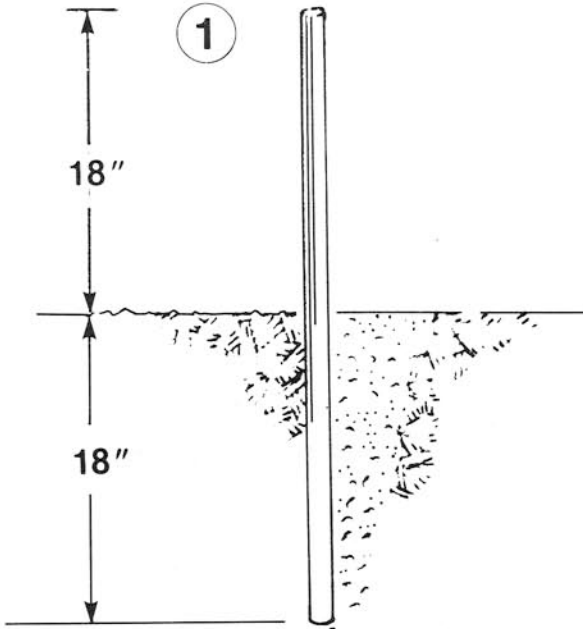


**SB-7 7 ft. Diameter
Aluminum Umbrella
Assembly Instructions**

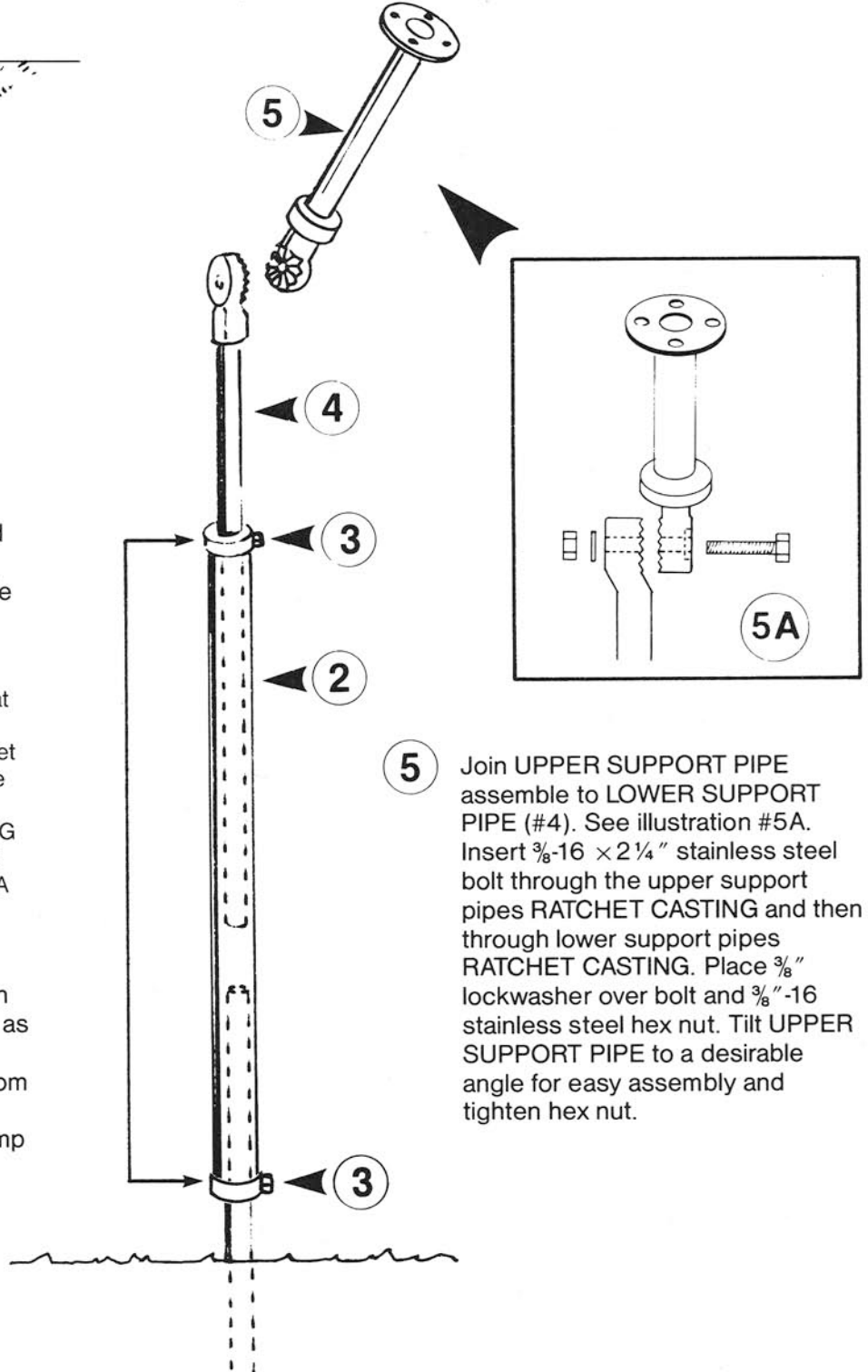
- ① Assemble from ground up. See illustration. Insert 1¼" O.D. × 3 ft. galvanized GROUND PIPE into the ground or cement slab for permanent placement approximate 18 inches. If ground is soft, pour cement around GROUND PIPE and allow to dry. If used in cement slab, drill 1⅜" diameter hole into slab approximately 4" to 6" deep, or through slab to enable pipe to be driven into ground. Note! If using hammer or mallet when inserting GROUND PIPE into ground, make sure top surface of GROUND PIPE is not distorted. (Suggest placing a piece of woodblock over top portion of GROUND PIPE to prevent distortion).



- ② Place table over ground pipe and slide the 1½" O.D. × 48" TELESCOPE TUBE through table and down over ground pipe.

- ③ Place CLAMP RING with SET BOLT at TOP and BOTTOM of the 1½" O.D. × 48" telescope tube, make sure the set bolt is in position to align with the hole at EACH end of the telescope tube. (NOTE! MUST SECURE CLAMP RING AT BOTTOM OF TELESCOPE TUBE TO PROPERLY SECURE UMBRELLA TO GROUND PIPE.)

- ④ Insert the aluminum 1¼" O.D. LOWER SUPPORT PIPE through the clamp ring and allow to slide as deep as possible into the Telescope Tube (#2). To keep from moving freely during further assembly, tighten set bolt in clamp ring (#3).

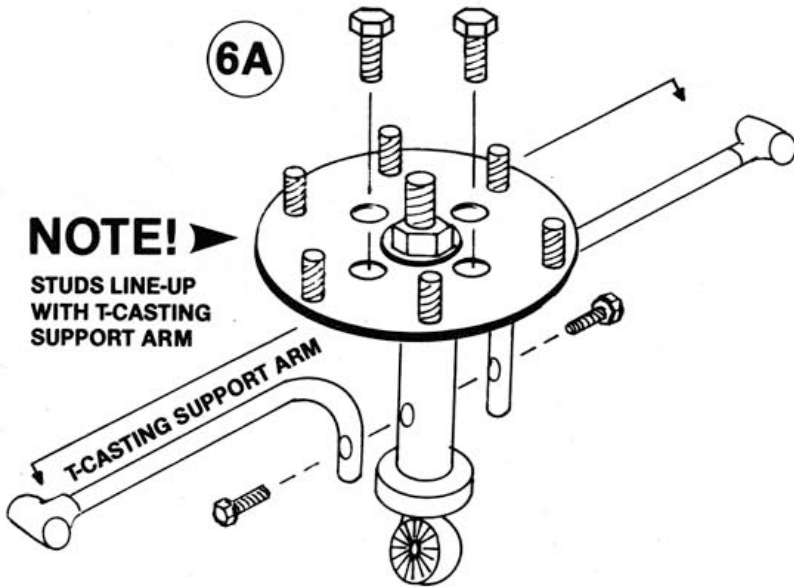


- ⑤ Join UPPER SUPPORT PIPE assemble to LOWER SUPPORT PIPE (#4). See illustration #5A. Insert ⅜"-16 × 2¼" stainless steel bolt through the upper support pipes RATCHET CASTING and then through lower support pipes RATCHET CASTING. Place ⅜" lockwasher over bolt and ⅜"-16 stainless steel hex nut. Tilt UPPER SUPPORT PIPE to a desirable angle for easy assembly and tighten hex nut.

6A

NOTE!

STUDS LINE-UP WITH T-CASTING SUPPORT ARM

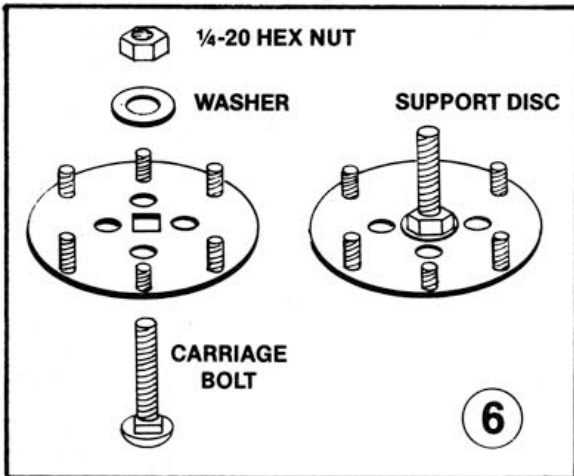


Match the "Two Higher Holes" located on side of upper support pipe with the two T-CASTING SUPPORT ARMS. Insert the T-CASTING SUPPORT ARM to the upper support pipe and place curved end in hole knotted on top of the upper support pipes ratchet casting. Secure the T-CASTING SUPPORT ARMS to the upper support pipe with 1/4" 20 x 1 1/4" stainless steel bolt. Turn about 4 times. DO NOT tighten arms at this time, wait until both umbrella sections are in place.

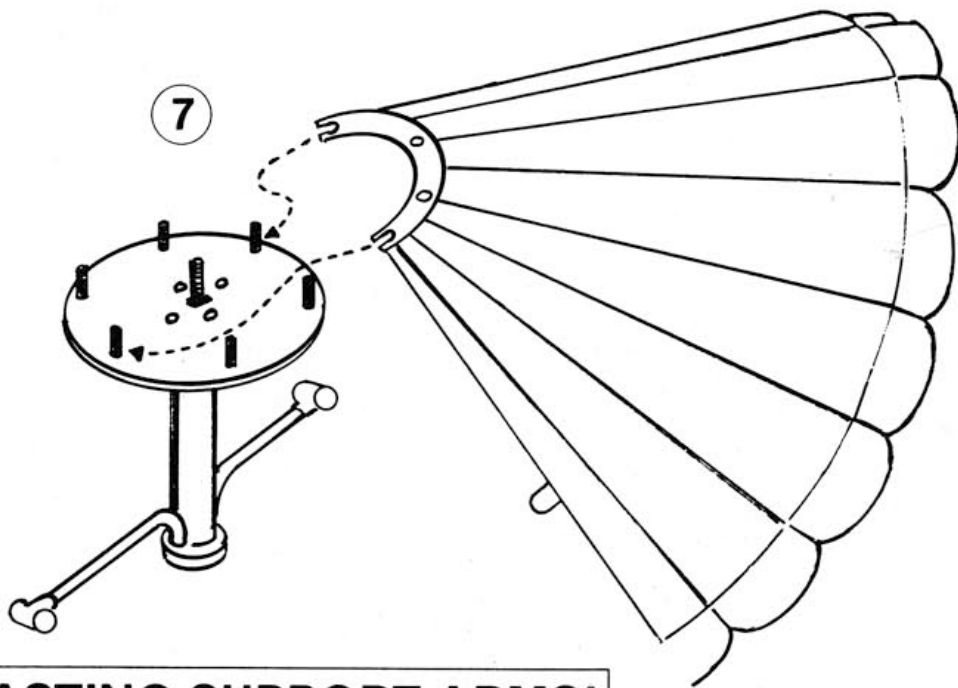
6

Assemble 1/4-20 x 3 1/2" carriage bolt, 1/4-20 washer, and 1/4-20 hex nut in center hole of SUPPORT DISC and tighten. Attach SUPPORT DISC to top of flange of UPPER SUPPORT PIPE (#5), and secure with 4, 1/4"-20 x 3/8" hex head cap screw.

IMPORTANT!! See illustration #6 and #7... T-Casting Support Arm MUST line up each side with studs located on top of support disc.



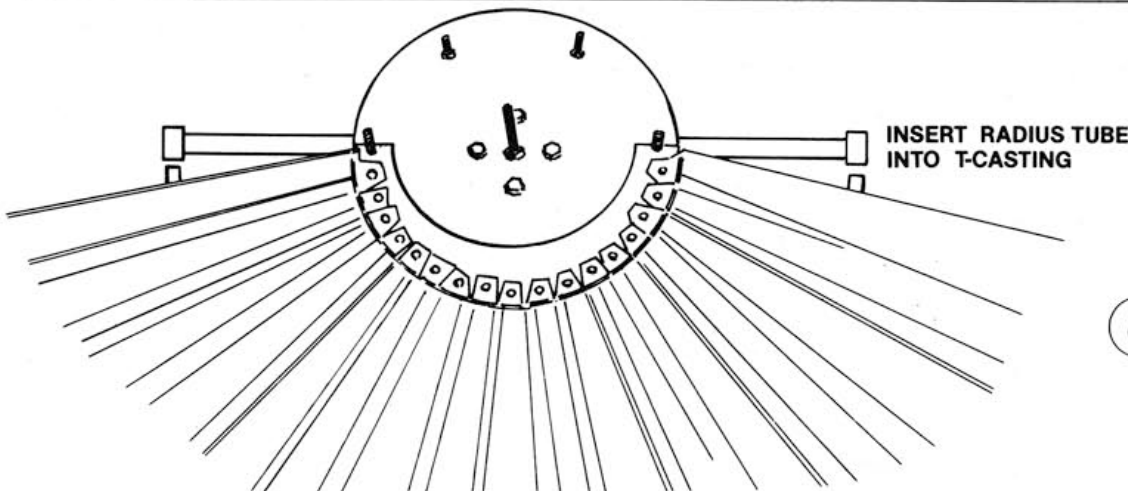
7



7

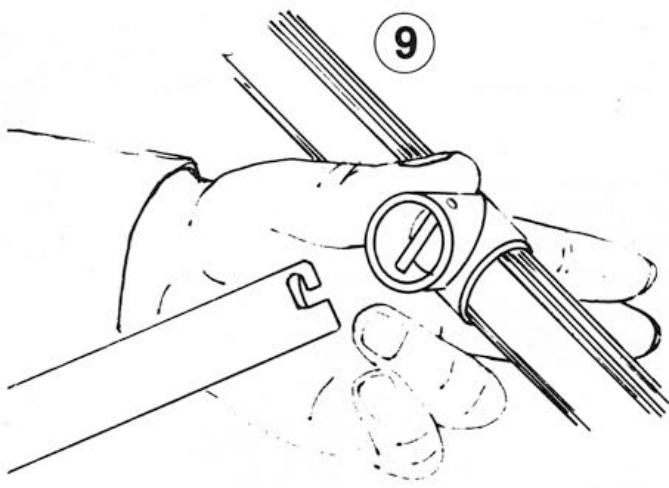
Place UMBRELLA HALF SECTION over the two center studs on support disc and secure with two #10-24 hex nuts. DO NOT place the two hex nuts at each end of umbrella section at this time.

NOTE POSITION OF T-CASTING SUPPORT ARMS!



8

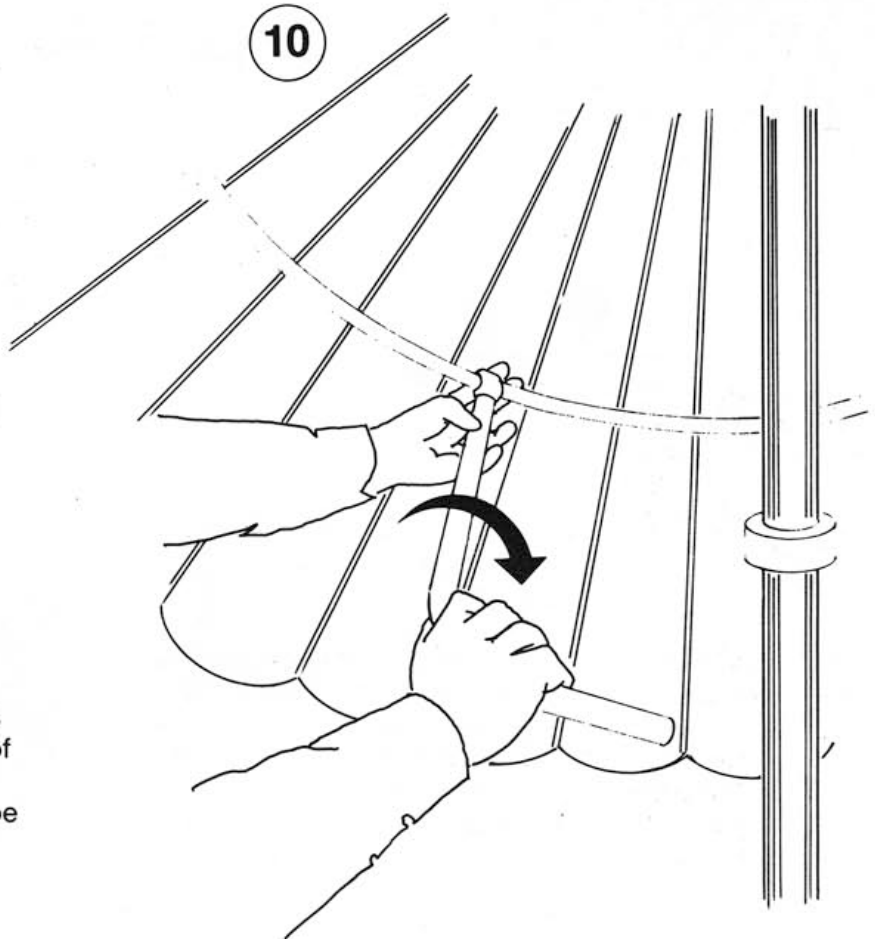
Insert ends of radius tube (extending from each side of umbrella section) into T-Casting support arms.



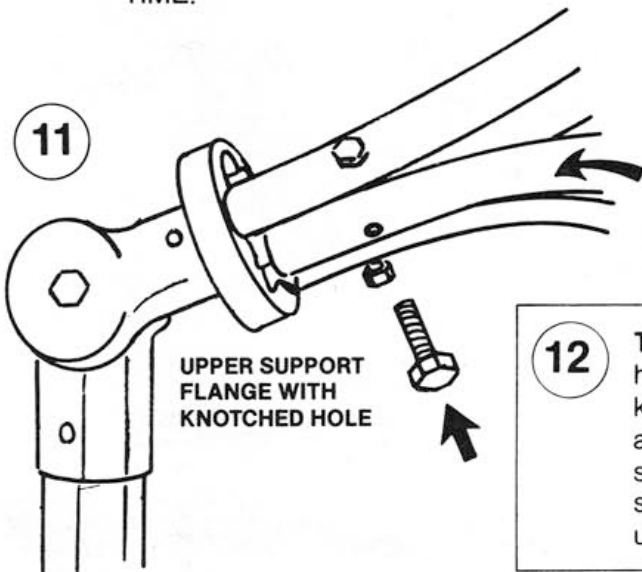
9 Insert straight-end of SUPPORT ARM into T-Casting on radius tube as illustrated.

10 3-EASY STEPS
Insert, Turn, Lock

After inserting Support Arm into T-Casting on radius tube, simply turn as illustrated and support arm will lock into T-Casting. (Pull to make sure support arm is locked into T-Casting).

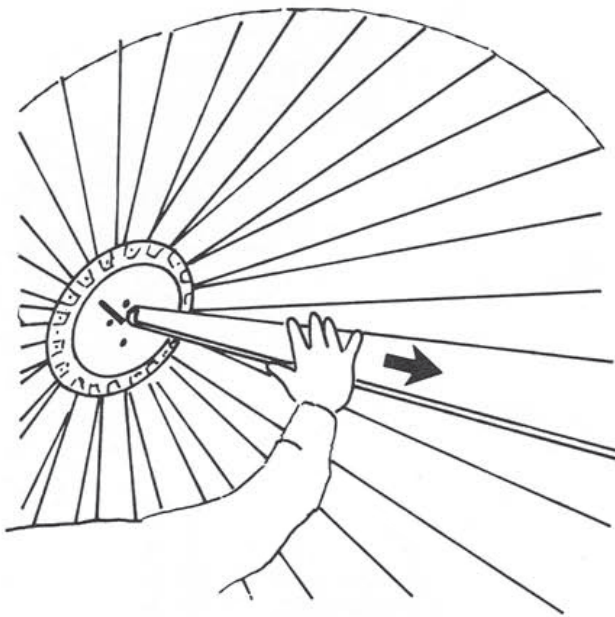


11 Insert curved end of support arms into the hole knotted on flange of upper support pipe. Fasten support-arm to Upper Support Pipe with $\frac{1}{4}$ - 20 \times $1\frac{1}{4}$ Stainless Steel Bolt, turn bolt about 4 times. **DO NOT TIGHTEN ARMS AT THIS TIME.**

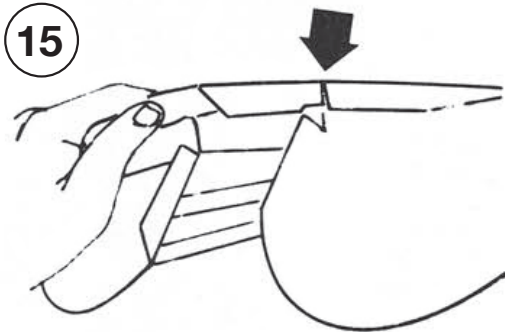
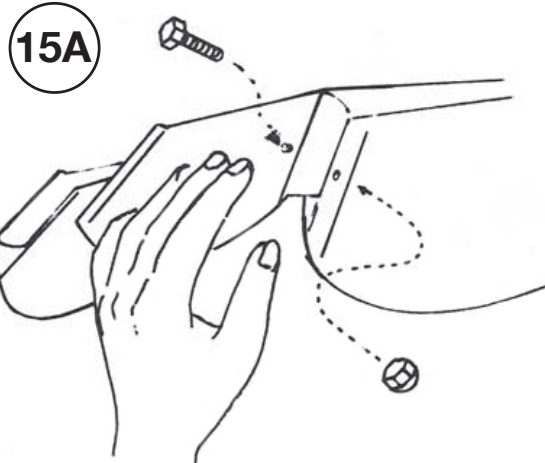


13 When placing second UMBRELLA HALF SECTION, follow the same procedure of steps for #7, #8, #9, #10 and #11.

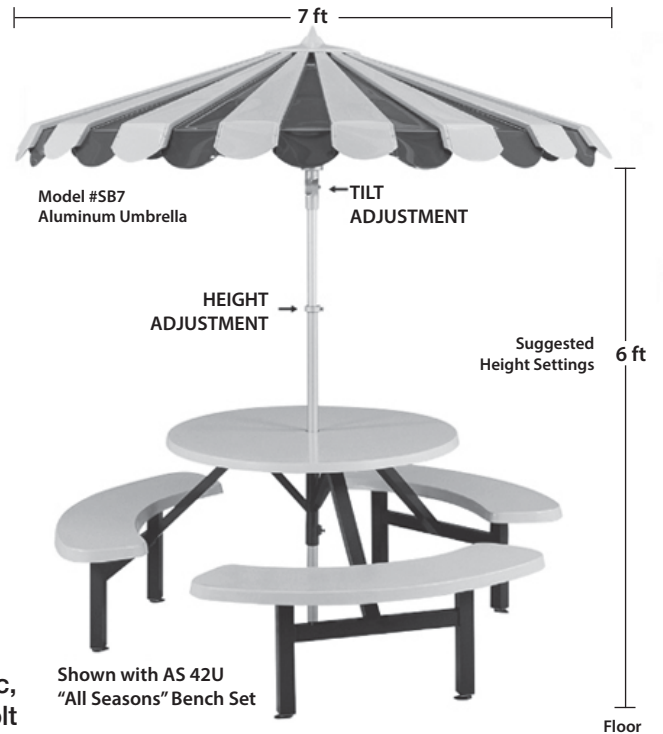
12 TURN OVER UMBRELLA. Support the weight of the assembled half section and carefully loosen the $\frac{3}{8} \times 2\frac{1}{4}$ " bolt connecting the knuckle joint of the upper and lower support pipe. **ROTATE** the assembled section **UPWARD** to a suitable angle for attaching the second half of umbrella. (This procedure places the assembled section of umbrella at the top). Tighten $\frac{3}{8} \times 2\frac{1}{4}$ " bolt. The second umbrella half section is ready to be attached.



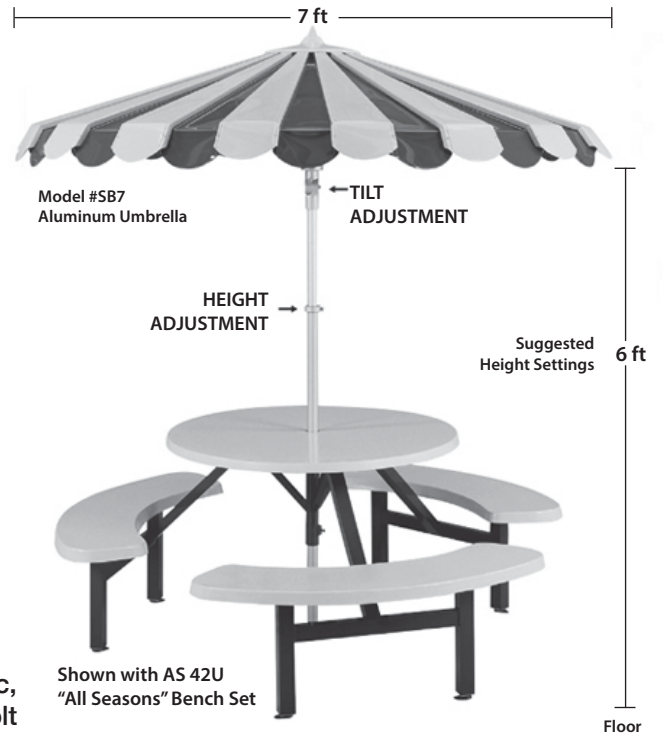
Place the two **UMBRELLA TOP PANS** over the openings between the two umbrella sections as illustrated. The hole at the narrow end of the umbrella top pan fits over the stud on support disc where both umbrella sections meet. Secure with #10-24 hex nut and tighten all nuts to studs at this time.



Make sure umbrella top pan is snapped-on, overlapping bottom pans. Form and fit the wide rounded end of the umbrella top pan until umbrella top pan hole is lined up with hole on each side of umbrella half section. Secure with 2, #8-32 x 1 1/8" aluminum bolts and 2 nylon lock nuts as illustrated in #15A.



Insert **COVER CONE** over carriage bolt in center of support disc, place washer over bolt and fasten down with top **PYRAMID FINIAL** as illustrated. Straighten umbrella, adjust and tighten all nuts and bolts at this time. Adjust **HEIGHT** at the **CLAMP RING** and adjust ratchet casting, if tilt desired.



For replacement parts or if additional information is required, please **CALL** or **WRITE**:

SUNBURST[®]
OUTDOOR FURNITURE

Sunburst Outdoor Furniture
Div. Pavilion Furniture, Inc.
16200 NW 49th Ave. Miami, FL 33014
Phone: 305 823 3480 • Fax: 305 823 7785